



http://www.prolecge.com

# TRANSFORMER

SERIAL No G2547- 03 , THREE-PHASE, 60 Hz, ALTITUDE 3300 ft

VOLTAGE RATING	115 000 GrdY / 66 400 - 18 000		
kVA RATING	132 000	CONTINUOUS @ 65 °C RISE ONAN	
kVA RATING	176 000	CONTINUOUS @ 65 °C RISE ONAF	
kVA RATING	220 000	CONTINUOUS @ 65 °C RISE ONAF	

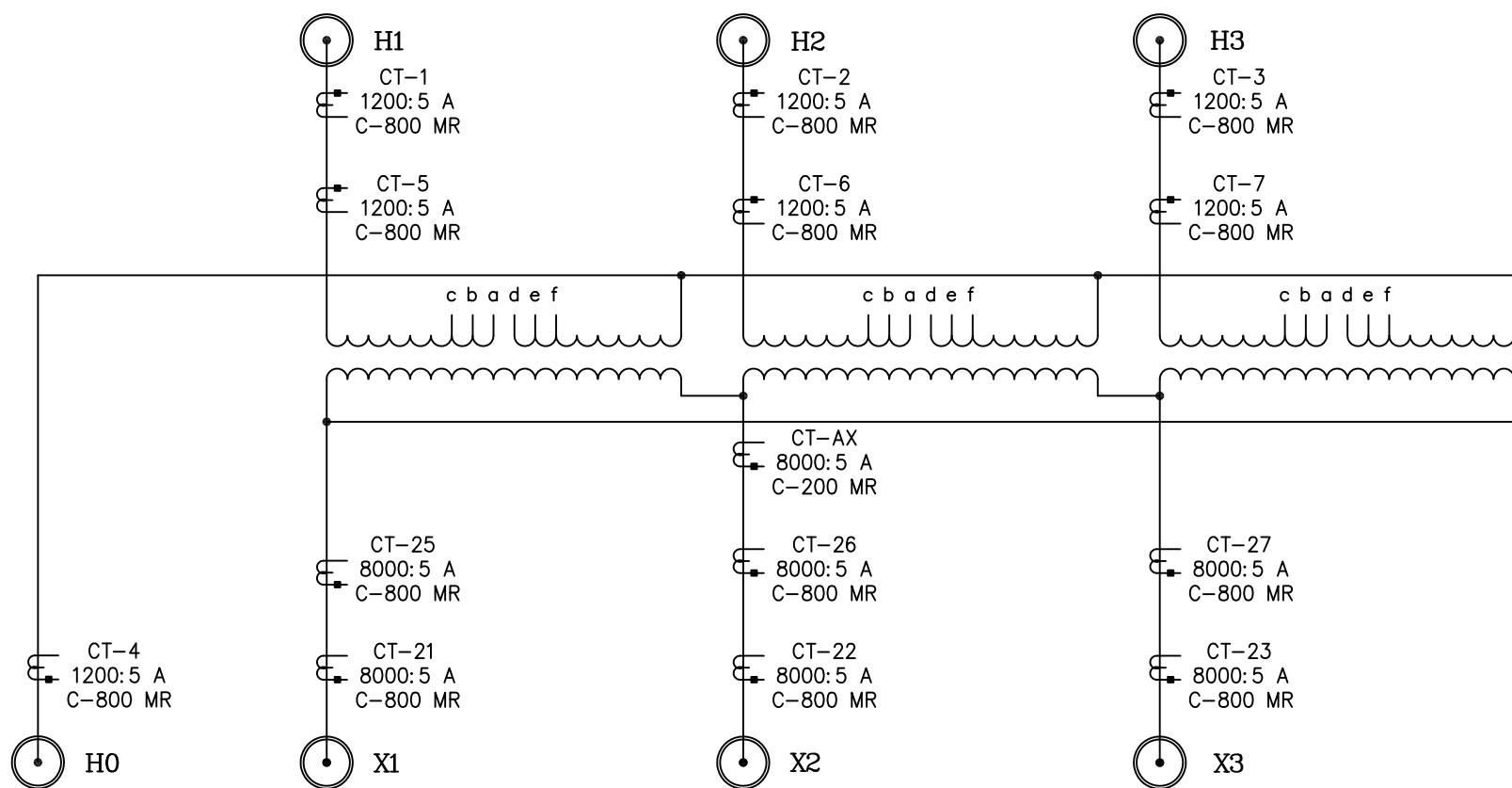
APPROXIMATE WEIGHTS (POUNDS)	
CORE AND COILS	201170
TANK AND FITTINGS	72775
MAIN TANK LIQUID ( 10143 GALS )	76175
COOLING EQUIPMENT LIQUID ( 730 GALS )	5485
CONSERVATOR TANK LIQUID ( 406 GALS )	3050
TOTAL WEIGHT	358655
UNTANKING WEIGHT ( HEAVIEST PIECE )	201170
SHIPPING WEIGHT (WITHOUT OIL)	244435

IMPEDANCE @ 85 °C		
%Z	kVA BASE	kV BASE
8.902	132 000	115 - 18

BASIC IMPULSE LEVEL (kV)			
	H1 H2 H3	X1 X2 X3	H0
BUSHING	650	150	150
WINDING	550	150	150

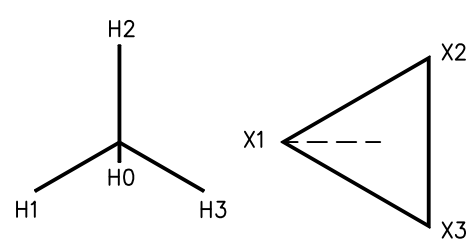
TRANSFORMER DESIGNED FOR A NOMINAL IMPEDANCE OF 9.0% @ 132 000 kVA THE ACTUAL MEASURED IMPEDANCE VALUE WILL BE SHOWN ON THE NAMEPLATE.

MATERIAL: STAINLESS STEEL PS  
DIMENSIONS: 18" x 12"



HIGH VOLTAGE WINDING			
VOLTS	AMPERES	DE-ENERGIZED TAP CHANGER	
H1, H2, H3	220 000kVA	POS	CONNECTS
120 750	1052	1	a TO d
117 875	1078	2	d TO b
115 000	1104	3	b TO e
112 125	1133	4	e TO c
109 250	1163	5	c TO f

LOW VOLTAGE WINDING	
VOLTS	AMPERES
X1, X2, X3	220 000 kVA
18 000	7055



**CAUTION !**

- BEFORE INSTALLING OR OPERATING READ INSTRUCTIONS G2547
- DO NOT OPERATE TRANSFORMER WHEN THE READING OF LIQUID LEVEL GAUGE IS BELOW OF THE LOW POINT OF THE SCALE.
- DO NOT OPERATE DE-ENERGIZED TAP CHANGER WITH THE TRANSFORMER ENERGIZED.

**NOTES**

- MAXIMUM OPERATING PRESSURES OF LIQUID PRESERVATION SYSTEM: 0 Lbf/in<sup>2</sup> ( ATMOSPHERIC PRESSURE ).
- TANK DESIGNED FOR 15 Lbf/in<sup>2</sup> VACUUM FILLING
- ALL WINDINGS COPPER.
- FILLED WITH MINERAL OIL WHICH CONTAIN NO DETECTABLE LEVEL OF PCB AT THE TIME OF MANUFACTURE.

MANUFACTURE DATE: 08 / 20 10

